



SUNVENT™

Solar powered ventilator

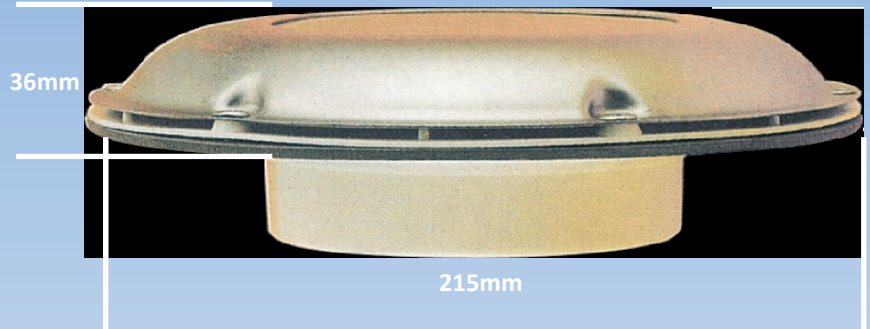
For Use:

CARAVANS • R.V.S (MOTOR HOMES) • TRUCKS, LORRIES OR VAN LOFTS • BOATS • GREEN HOUSES • HOME CONSERVATORIES • UNOCCUPIED HOLIDAY HOMES • KITCHENS OR BATHROOMS • SUB STATIONS • HORSE BOXES • STABLES • TEMPORARY SITE ACCOMODATION • OFFICES • FARM BUILDINGS • PUBLIC TOILETS • and more

Operates without wires, without batteries and without any running costs!



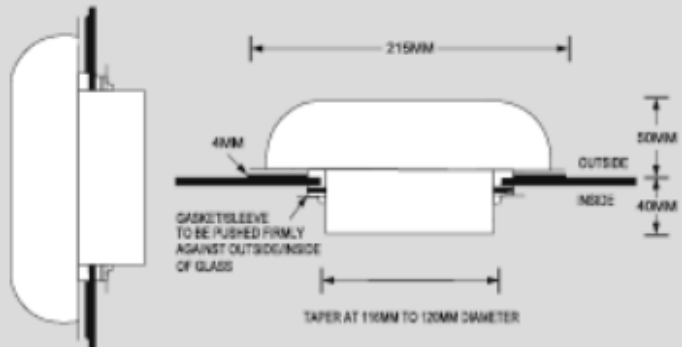
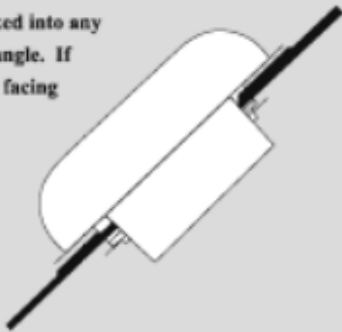
The Solar Lo Vent will help to reduce mould, mildew, moisture and excessive heat build-up on caravans or aboard boats. It is low profile, projects only 36mm above surface with 215mm overall diameter.



GLASS FIXING AND DIMENSIONS

SUNVENT can be fixed into any surface of glass at any angle. If possible use an equator facing window or roof.

Everything you need to fix the SUNVENT is supplied with the product — all you need to supply is a glass cutter.



BOAT DECK / CARAVAN ROOF FIXING

Use No. 6 screws (brass or stainless steel recommended where salt water is involved) as necessary, inserted through eyelets to create an additional secure fixing.

Use a suitable, recommended mastic as a seal between the plastic ventilator and the surface being used.

A tube extension can be used as shown with wall fixing (right)



WALL FIXING

SUNVENT can be fixed into a wall or other materials with a thickness greater than 40mm (1 1/2").

Use No. 6 screws with suitable raw plugs, inserted through eyelets.

Tube with internal diameter between 116 and 120mm cut to required length.

